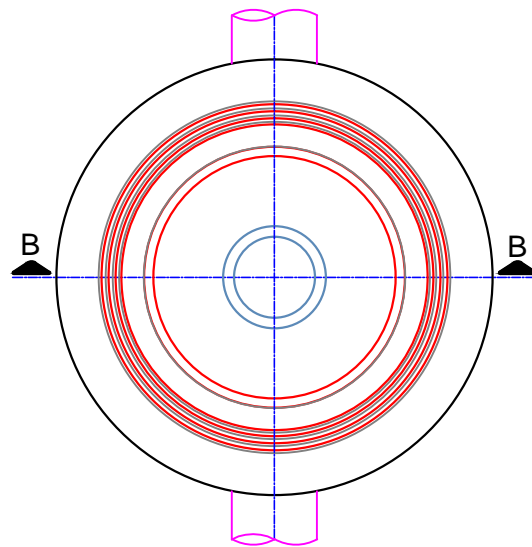


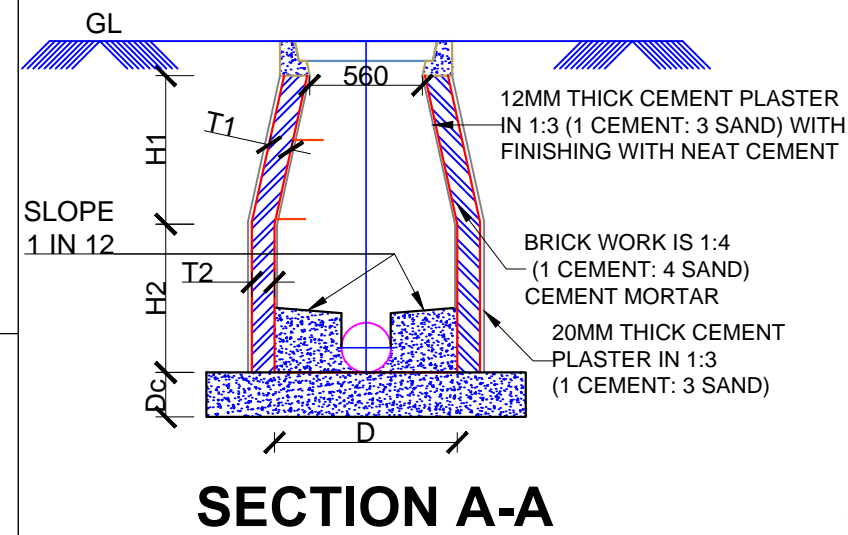
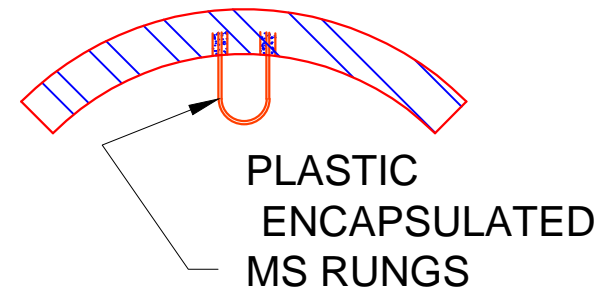
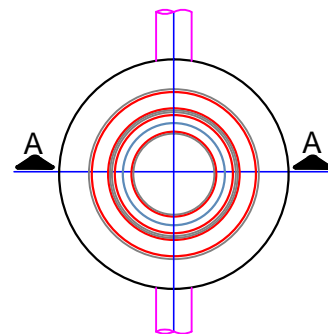
Note:

1. All the dimensions are in mm otherwise specified.
2. The benching at the side of the channel shall be atleast 50mm above the crown of the pipe.
3. An arch should be provided in the walls of the manhole at all inlet and outlet pipe openings.
4. All PCC work for non-water retaining structures shall be in M-10 otherwise specified.
5. All PCC works for water retaining structures shall be in M-15 otherwise specified.
6. All rungs shall be plastic encapsulated and the spacing will be as per IS:4111..
7. Refer IS: 4111 for selecting diameter of manhole to be used for a particular site.

Plan of 1500mm & 1800mm Manhole



Plan of 900mm & 1200mm Manhole



D (mm)	H1 (mm)	H2 (mm)	H3 (mm)	H4 (mm)	H5 (mm)	T1 (mm)	T2 (mm)	T3 (mm)	T4 (mm)	T5 (mm)	Dc (mm)
900	750	upto 750				1 BKT	1 BKT				228
1200	1350	upto 750				1 BKT	1 BKT				300
1500	1950	750	2100	4050	upto 4000	1 BKT	1.5 BKT	2.0 BKT	2.5 BKT	3.0 BKT	300
1800	1950	750	2250	4050	upto 4000	1 BKT	1.5 BKT	2.0 BKT	2.5 BKT	3.0 BKT	300

DRAWN BY-

**CONTRACTOR/CLIENT-
RBIPPL-SRCC JV**

**MAIN CLIENT- BHIND MUNICIPAL
COUNCIL**

**PROJECT TITLE-SEWERAGE
SYSTEM NETWORK
(PHASE-1ST),BHIND**

OWNER- BHIND MUNICIPAL COUNCIL

**DRAWING TITLE-
TYP. DETAIL FOR MANHOLES**

CHECKED BY-

APPROVED BY-

DATE-